

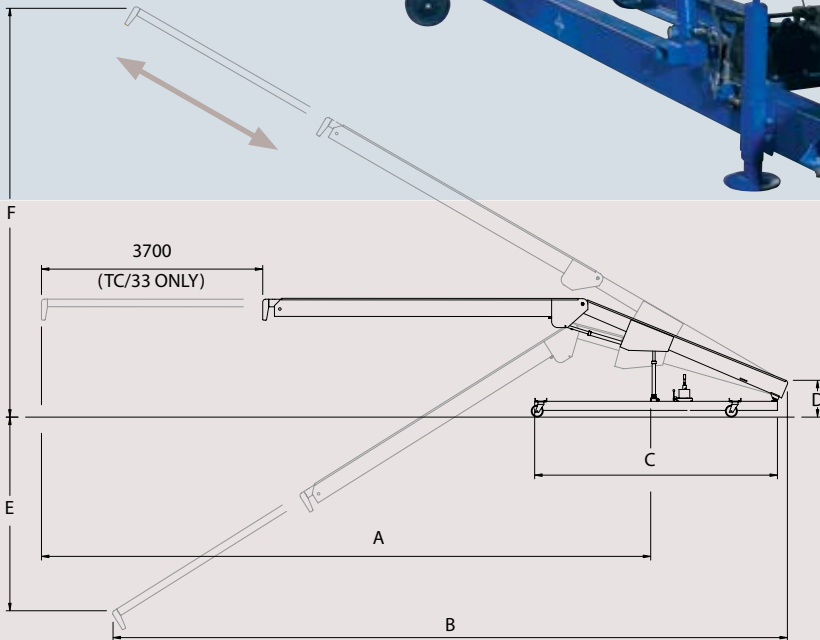
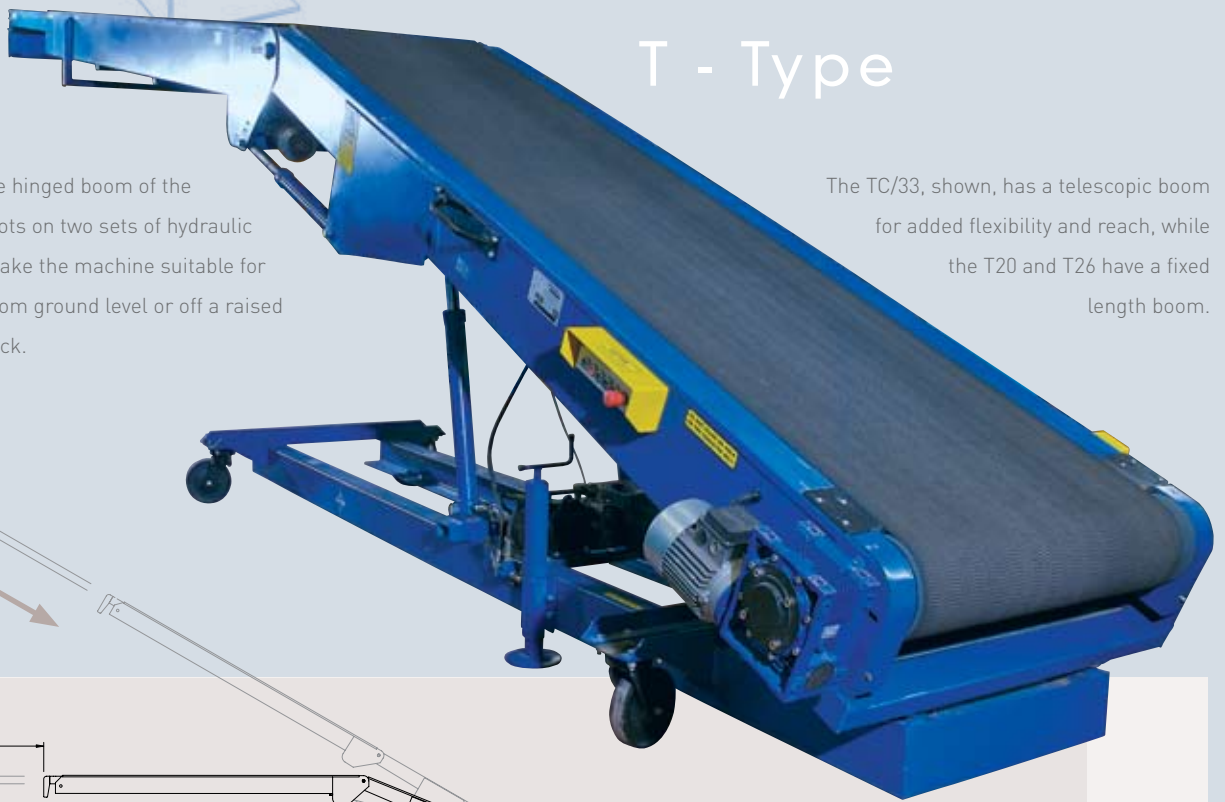
# mobile

## Conveyors

### T - Type

The double hinged boom of the T-Type pivots on two sets of hydraulic rams to make the machine suitable for working from ground level or off a raised loading dock.

The TC/33, shown, has a telescopic boom for added flexibility and reach, while the T20 and T26 have a fixed length boom.



General Dimensions (mm)

	T20	T26	TC/33
<b>REACH INTO VEHICLE (A)</b>	6100	8000	10000
<b>MINIMUM LENGTH (B)</b>	8200	10000	8200
<b>CHASSIS LENGTH (C)</b>	3050	4060	4060
<b>LOADING HEIGHT (D)</b>	600	600	600
<b>MINIMUM DELIVERY HEIGHT BELOW GROUND LEVEL</b>	1300	2200	3500
<b>MAXIMUM DELIVERY HEIGHT</b>	4900	5800	6700

**Additional dimensions for all models:** Overall width at front wheels 1145mm. Overall width at delivery end 820mm. Overall width at belt power unit 1045mm