

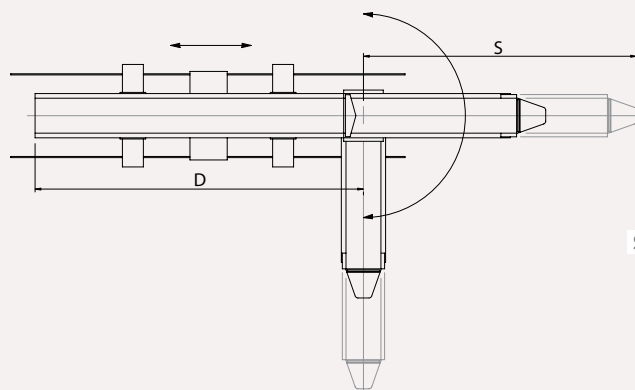
The difficult task of loading and unloading loose products from railcars is made easy by the Newland RC range. Using its pivoting boom the RC can reach right through the railcar door and then pivot through 90 degrees to reach the end of the railcar.



Railcar Loader

The Railcar Loader is available as either a loading or unloading belt conveyor, they are not reversible.

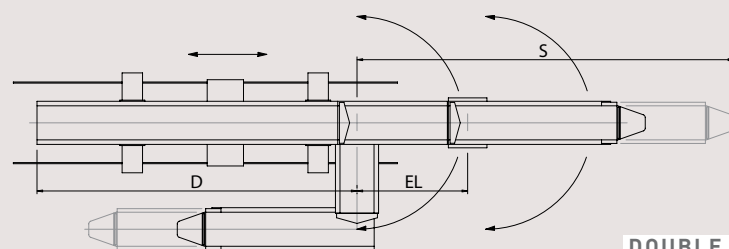
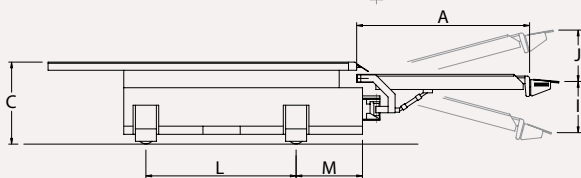
The boom pivots feature a unique braking system which holds the machine in the desired position. Using its pivoting booms, the Railcar Loader can reach right in through the centre door and then pivot 90° to reach the end of the railcar. However, if the railcar door is struck as the machine enters or exits, then the pivot will slip on its brake, preventing the machine from damaging its pivot system or the railcar.



SINGLE PIVOT

General Dimensions (mm)

	LOADER	UNLOADER
A	2850	2850
C	1400	1100
D	5460	4800
J	500	400
I	900	900
L	2600	2600
M	1100	1100
S	4930	5150



DOUBLE PIVOT

General Dimensions (mm)

	LOADER	UNLOADER
A	2850	2850
C	1550	1250
D	5460	4800
EL	1940	1940
J	500	400
I	900	900
L	3300	3300
M	400	400
S	6870	7090

